

# Horizon Pillowcase™

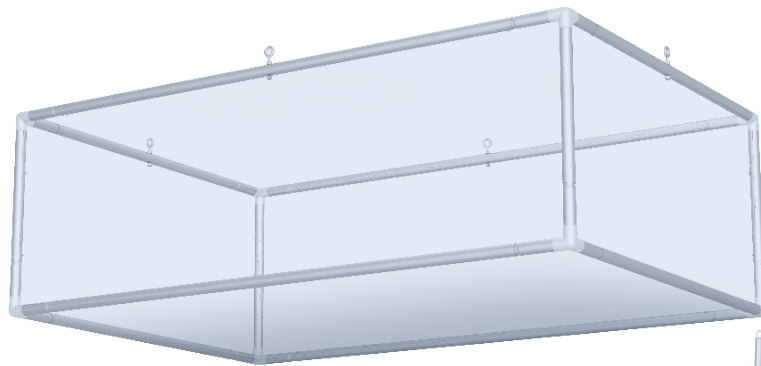
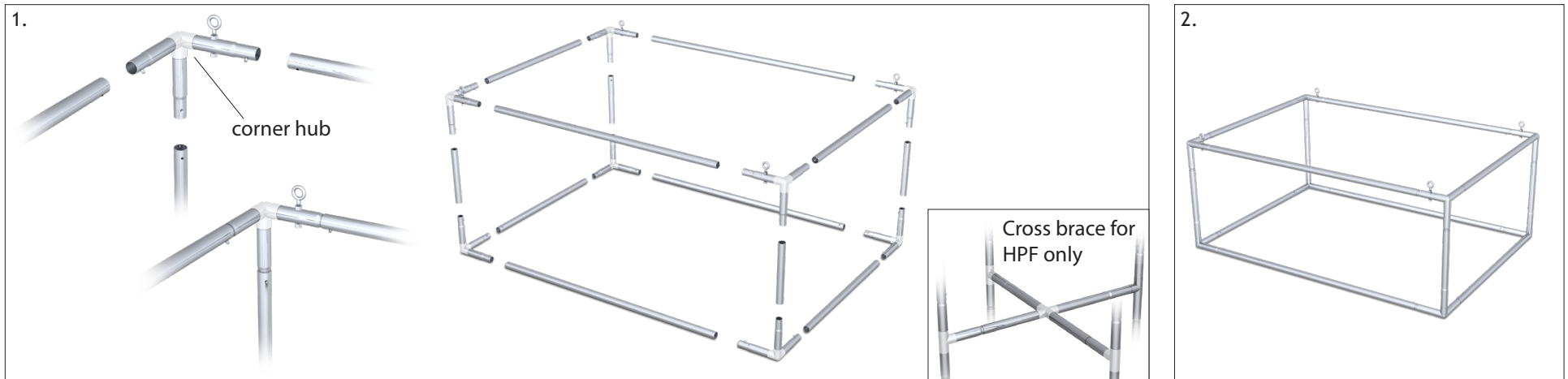
1. Press swaged uprights and crossbars into respective corner hub until push buttons click into place.
2. Once assembled, slide pillowcase graphic over frame and zipper it closed to complete assembly (graphic not shown).

*NOTE: Although the unit shown below may differ from your product, assembly remains the same. Tower models DO NOT have eyebolts.*

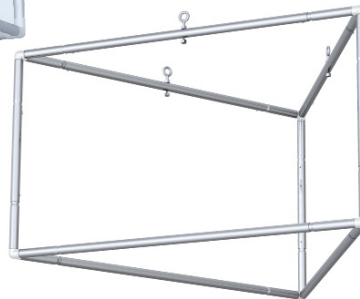
## Applicable Products:

Hanging Models  
HPR - Rectangle  
HPS - Square  
HPT - Triangle

Tower Models  
HPF - Rectangle  
HPF - Triangle



HPR - Rectangle



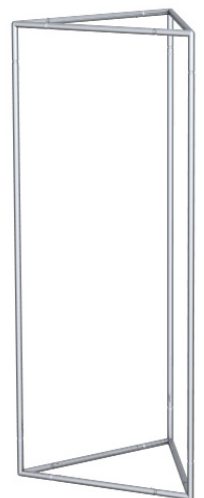
HPT - Triangle



HPS - Rectangle



HPF - Rectangle



HPF - Triangle